

**FS20LGLCSS7**

20.75" x 19.75" x 21.0" (H x W x D)

Commercially approved "cube" shaped compact all-freezer with a glass door, stainless steel cabinet, and front-mounted lock, capable of -20°C operation

**Highlights:**

Commercially approved for use in foodservice establishments

Glass door provides tempting display of products inside

-20° C capable for long-term storage of frozen food, vaccines, and other laboratory products

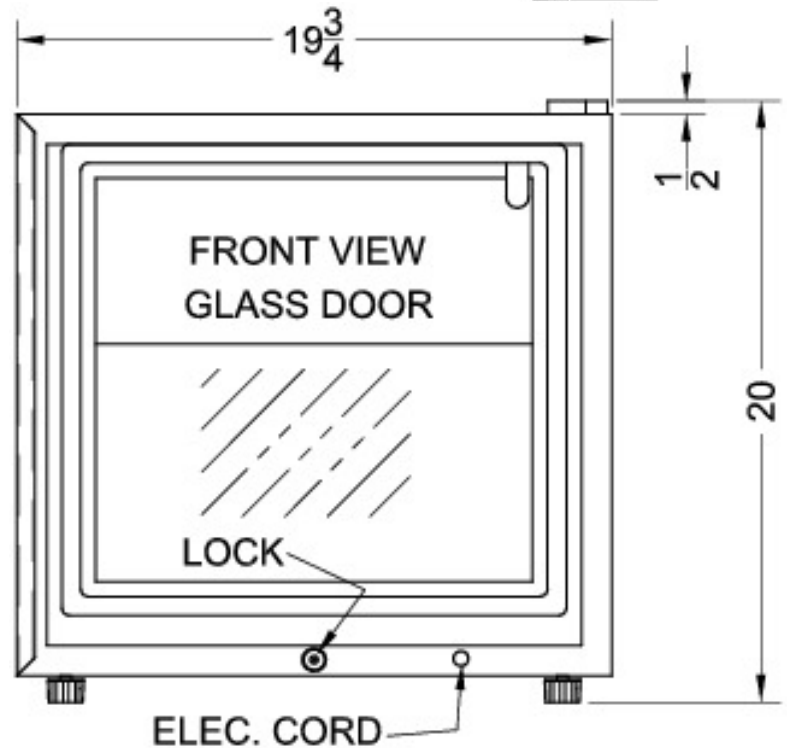
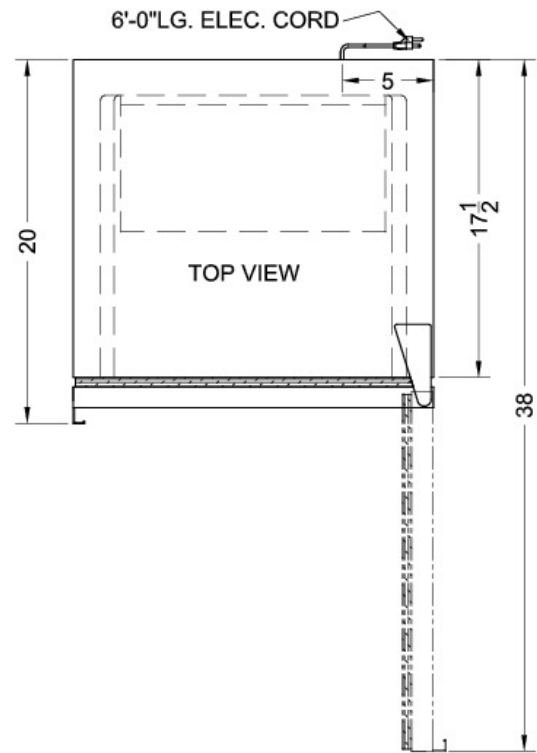
Stainless steel cabinet adds durable luxury to any setting



Commercially approved	ETL-S listed to ANSI-NSF Standard 7 and CalCode Compliant
Cube shaped	Square footprint for placement on top of counters
Fully wrapped stainless steel cabinet	304 grade stainless steel wrapped cabinet for durability
Glass door	Heat resistant design provides clear view to promote impulse buys
Factory installed lock	Keyed lock for a secure interior
-20° C capable	Operates at safe temperature for storage of vaccines such as FLU MIST and chicken pox
Manual defrost	No temperature fluctuations with an energy efficient manual defrost system
One piece interior liner	Enjoy easy clean-up with a seamless liner that won't hold a mess in hidden crevices
Adjustable thermostat	Manage the interior temperature with ease and accuracy
100% CFC free	Environmentally friendly design without ozone-damaging chemicals

## Specifications:

Height	20.75"
Width	19.75"
Depth	21.0"
Capacity	1.6 cu.ft.
Interior Height 1	14.5"
Interior Width 1	15.5"
Interior Depth 1	15.0"
Comp Step Height	8.5"
Comp Step Width	15.5"
Comp Step Depth	7.0"
Shipping Weight	75.0 lbs.
Weight	70.0 lbs.
Voltage/Frequency	115 V AC/60 Hz
Amps	1.2
Energy Usage/Year	277.0 kWh/year
US Electrical Safety	UL
Reversible	No
Door Swing	RHD
Shelf Quantity	1
Adjustable Shelf	true
Shelf Type	Wire
Defrost Type	Manual
Depth with door at 90°	39.5"
Thermostat Type	Dial
Low Side PSI	88.0
Freon Type	R134a
High Side PSI	250.0
Freon Oz	3.17
Compressor Warranty	5 Years
Parts/Labor Warranty	1 Year
Sanitation	ETL-S



Summit Appliances Division, Felix Storch, Inc.  
 770 Garrison Ave • Bronx, NY 10474  
 Phone: 718-893-3900 • Fax: 718-842-3093  
 Email: [info@summitappliance.com](mailto:info@summitappliance.com)